



Neumann Elektronik GmbH
 Lahnstraße 31-33
 45478 Mülheim an der Ruhr, Germany
 Phone +49 (0) 20840944 – 0
 E-Mail info@neumann-elektronik.com
 Web www.neumann-elektronik.com



Revision		DATE		NAME		Approbation	
No	Order					NAME	DATE
						Issue	Kilzer
						Check	
						Appr.	

Interconnection of analogue call stations
 without a communication system



© Neumann GmbH ALL RIGHTS RESERVED

Cover sheet
 (PAGE DESCRIPTION)

DRAWING No:

ORDER No:

DRAWING No:

03 3 000 0912

PAGE 1

OF 8

Table of contents

Section	Page	Page description	Remark	Rev.	Date	Edited by
	1	Cover sheet			14.07.2021	BKilzer
	2	Table of contents			14.07.2021	BKilzer
	3	Overview			14.07.2021	BKilzer
	4	Example 1			14.07.2021	BKilzer
	5	Example 2			14.07.2021	BKilzer
	6	Example 3			14.07.2021	BKilzer
	7	Example 4			14.07.2021	BKilzer
	8	Settings			14.07.2021	BKilzer

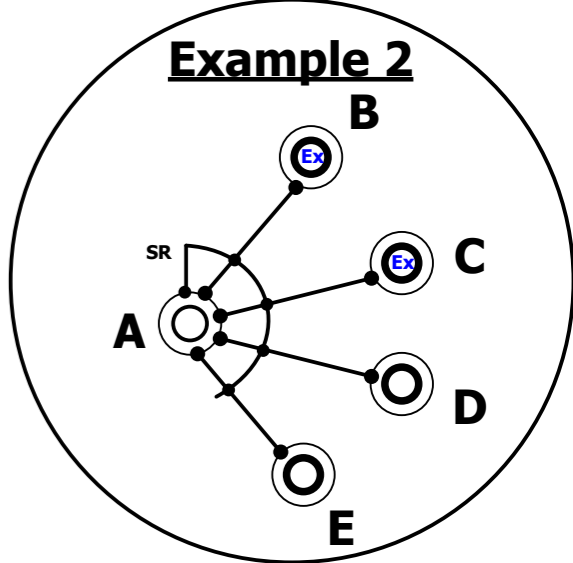
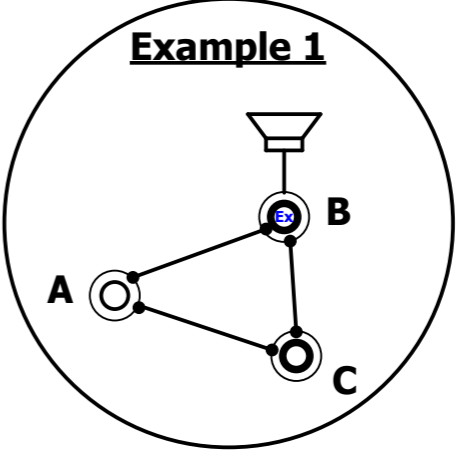
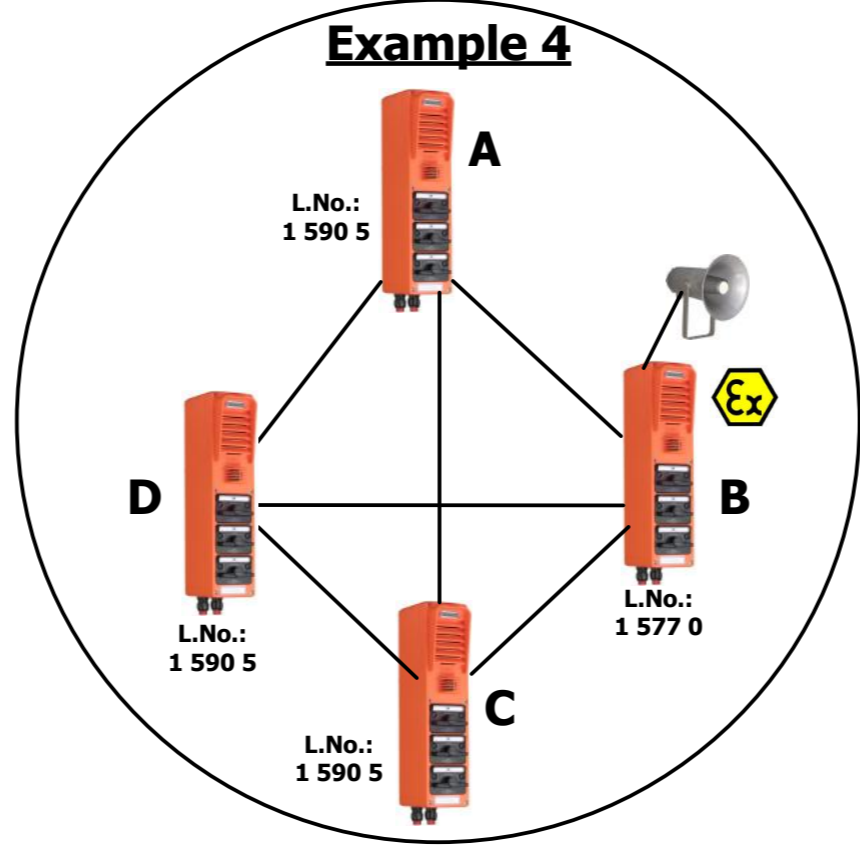
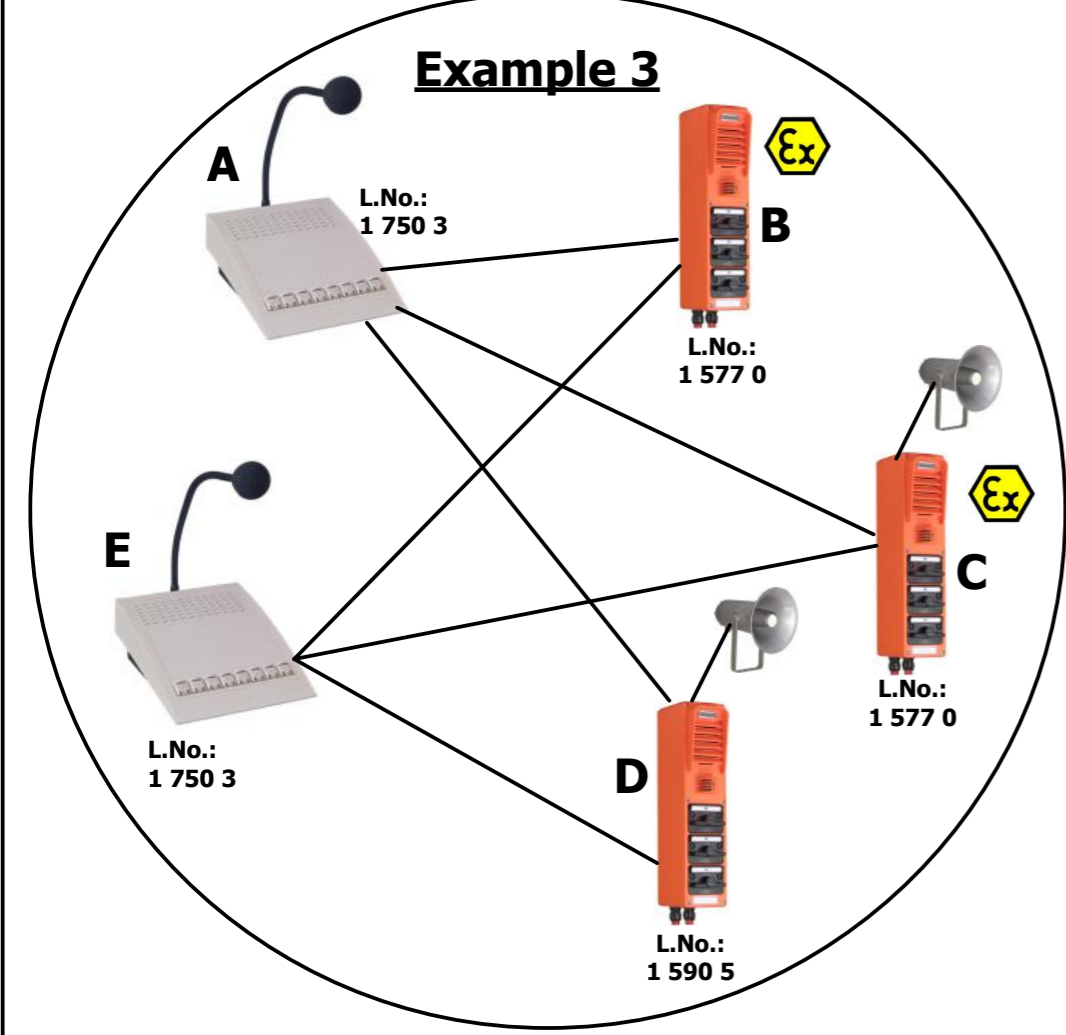
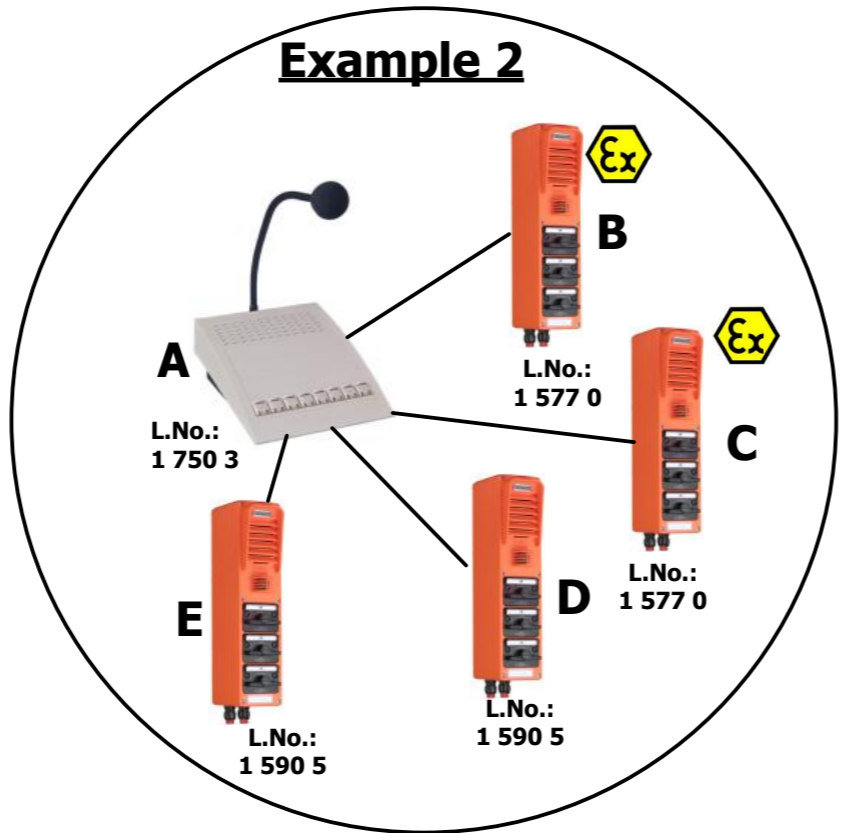
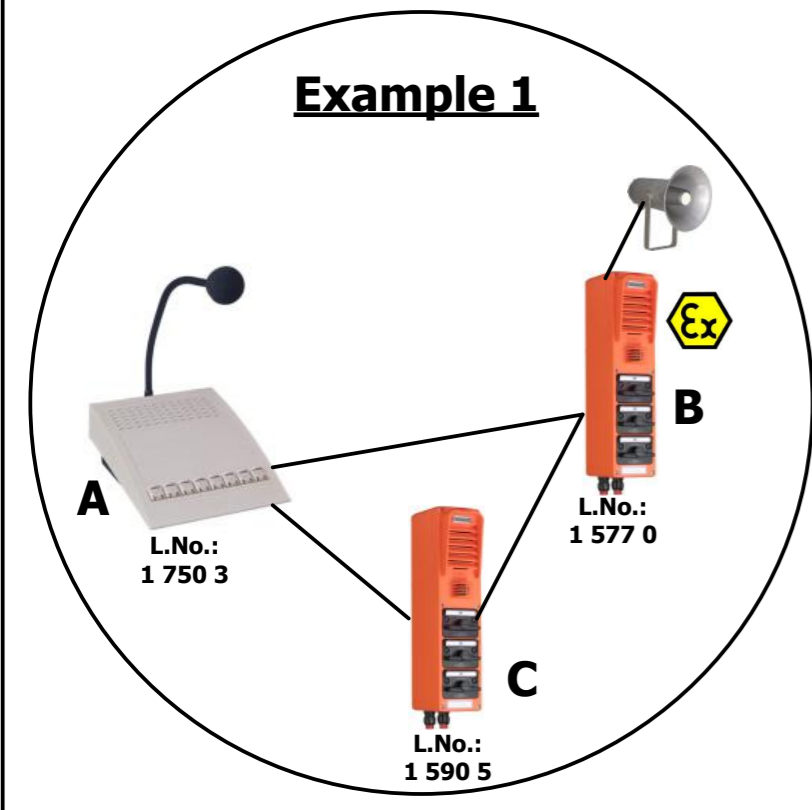
Revision			Approbation		
No	Order	DATE	NAME	NAME	DATE
				Kilzer	14.07.2021
				Check	
				Appr.	

Interconnection of analogue call stations
without a communication system

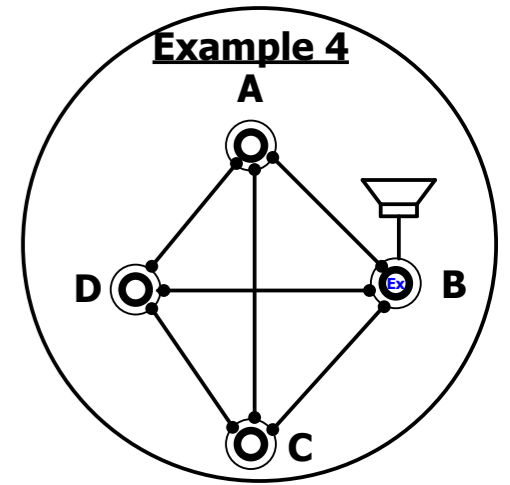
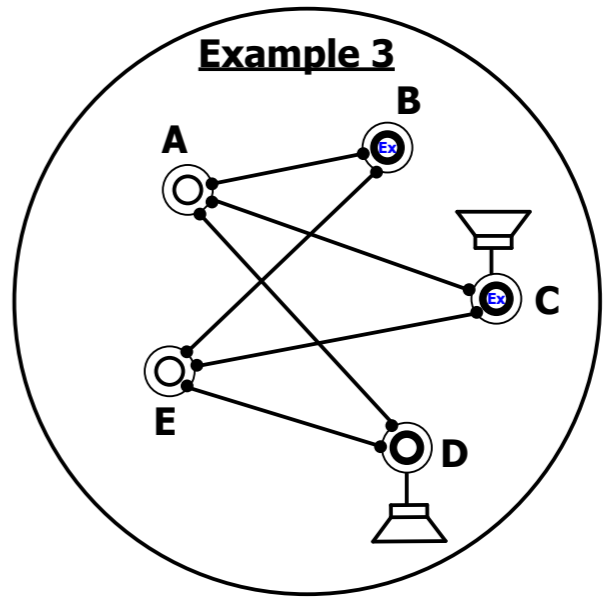


Table of contents
(PAGE DESCRIPTION)

Interconnection of analogue call stations without a communication system



Speech connection plan



Revision		DATE		NAME		Approbation	
No	Order						
						Issue	Kilzer
						Check	
						Appr.	

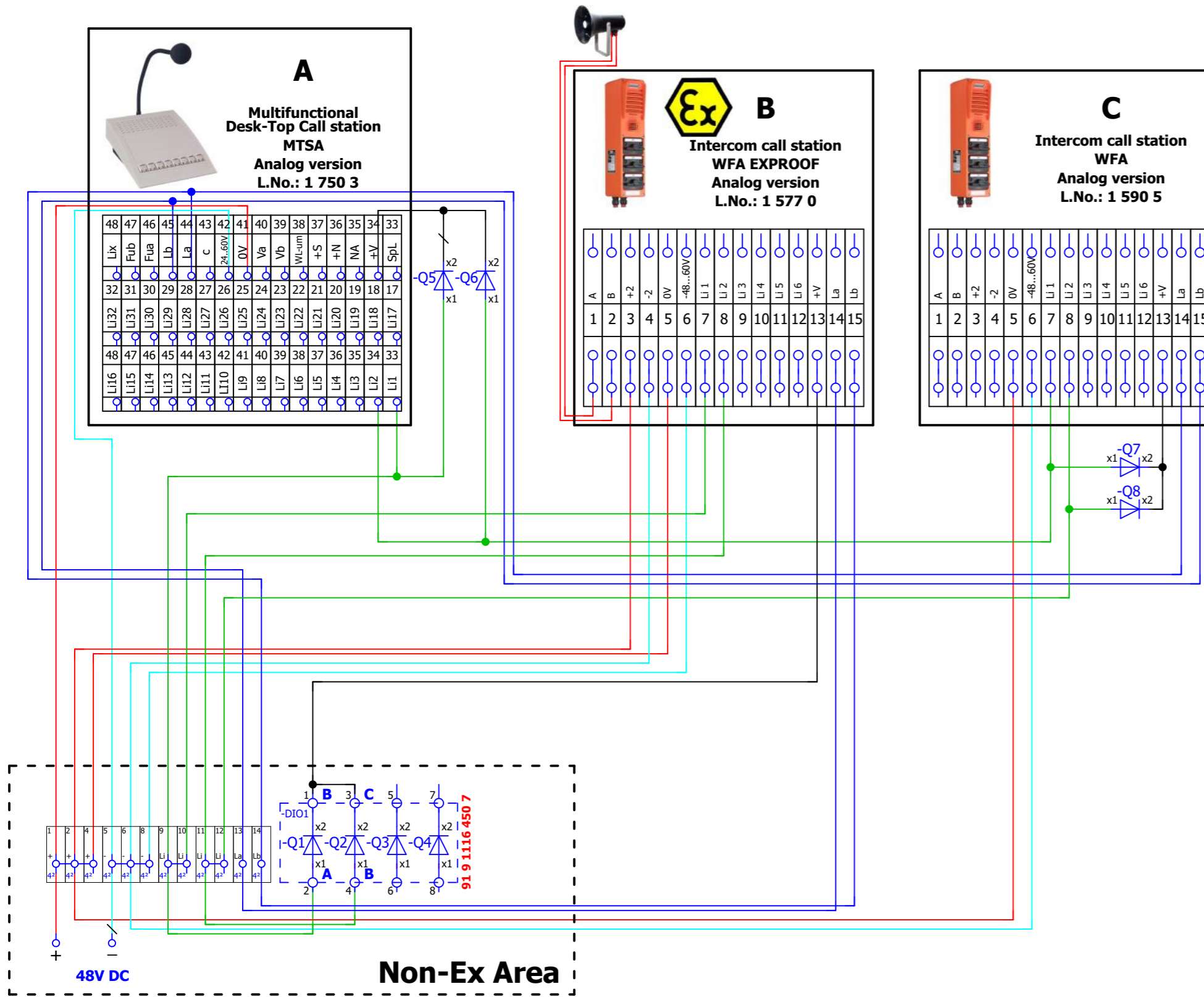
Interconnection of analogue call stations without a communication system



Overview
(PAGE DESCRIPTION)
DRAWING No:

ORDER No:
DRAWING No:
03 3 000 0912
PAGE 3
OF 8

Example 1



Revision		Approbation	
No	Order	DATE	NAME

Interconnection of analogue call stations without a communication system

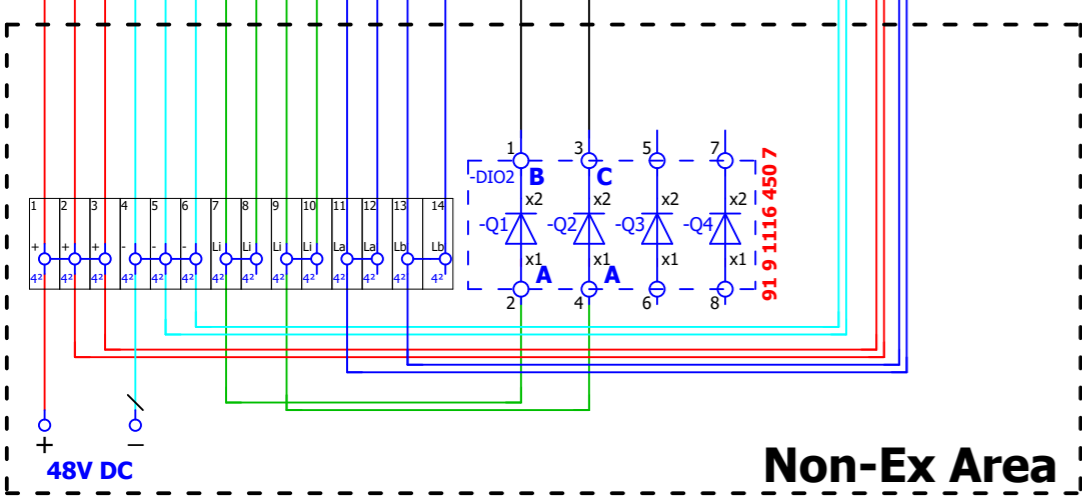
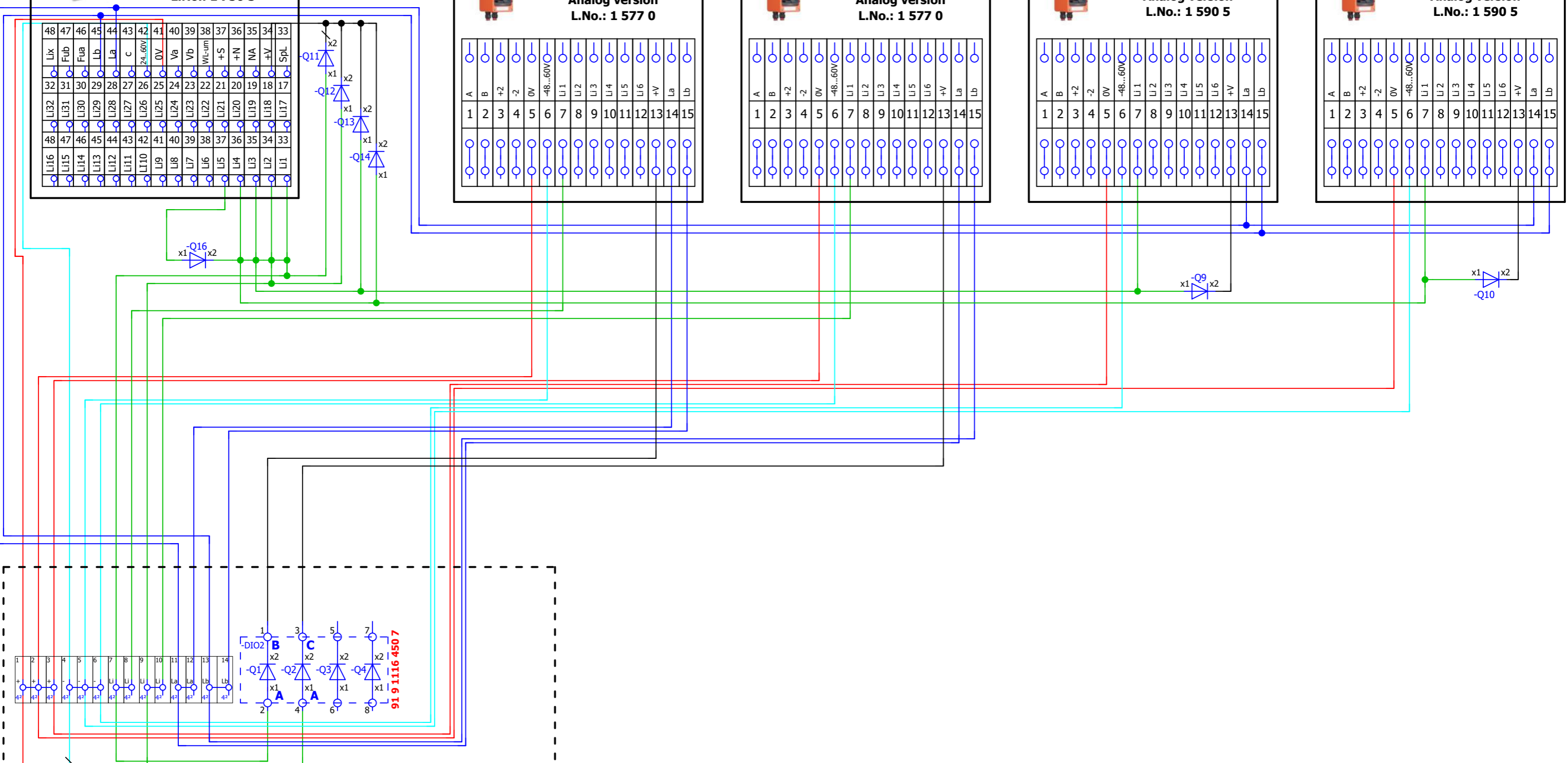
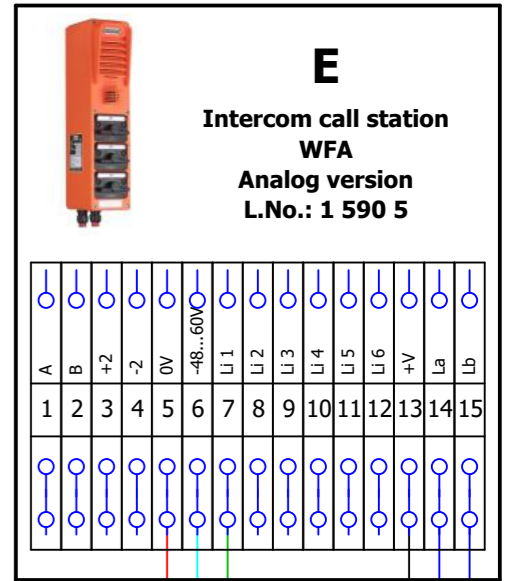
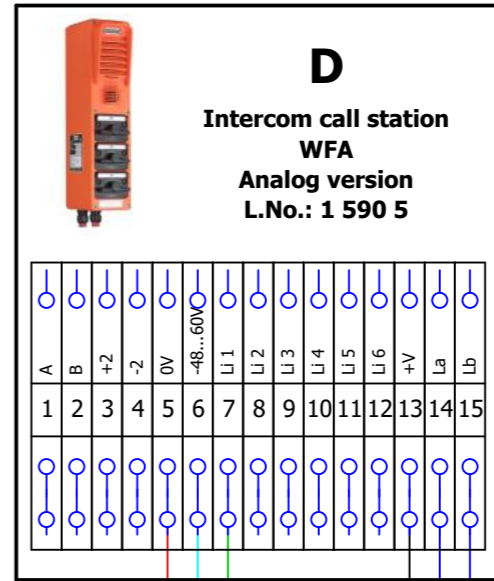
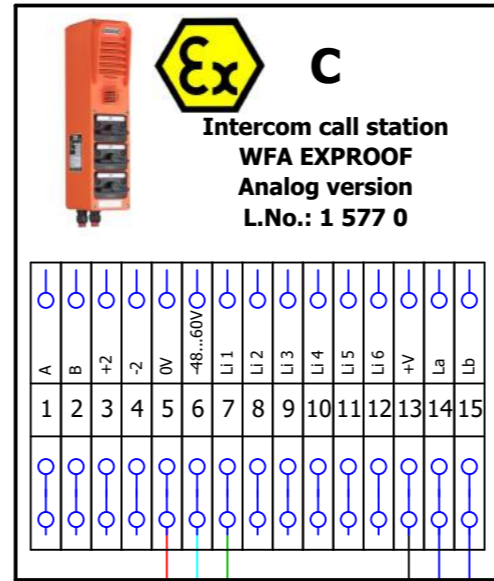
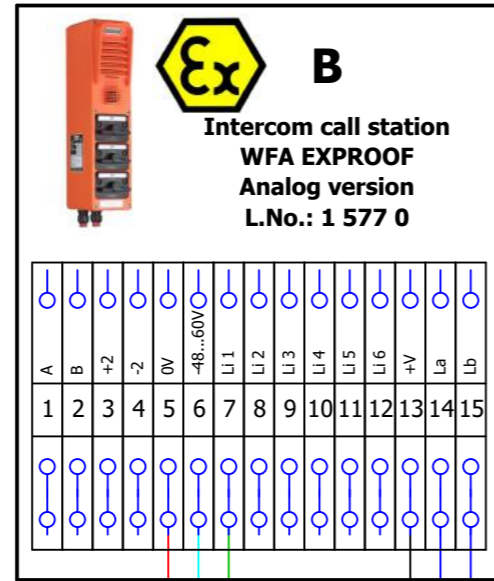
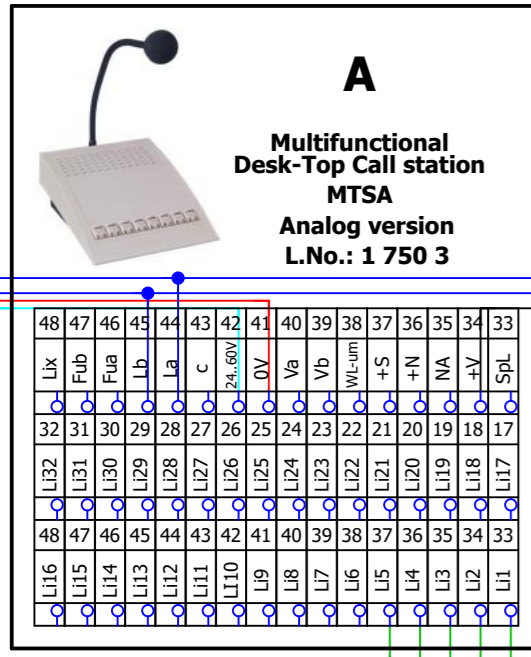


Example 1
(PAGE DESCRIPTION)

DRAWING No:
03 3 000 0912

ORDER No:
PAGE 4
DRAWING No:
OF 8
03 3 000 0912

Example 2



Revision		DATE		NAME		Approbation	
No	Order					NAME	DATE
						Issue	Kilzer
						Check	
						Appr.	

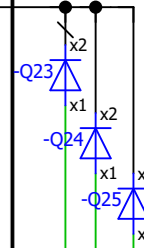
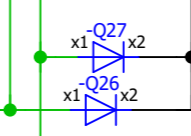
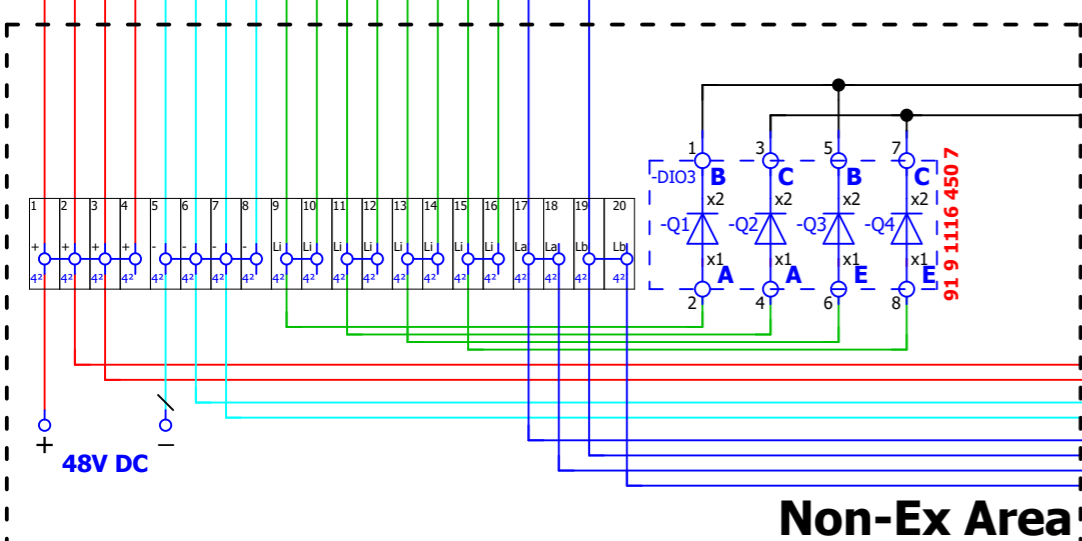
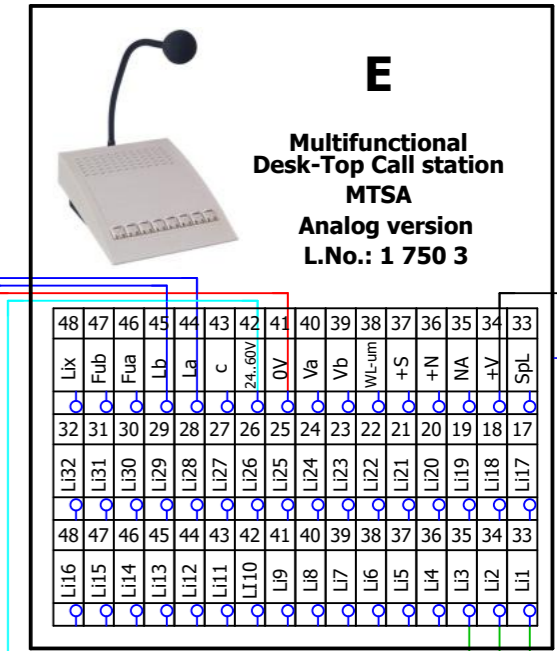
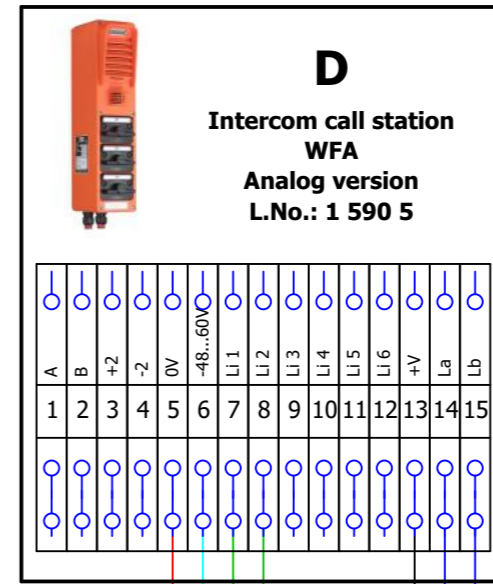
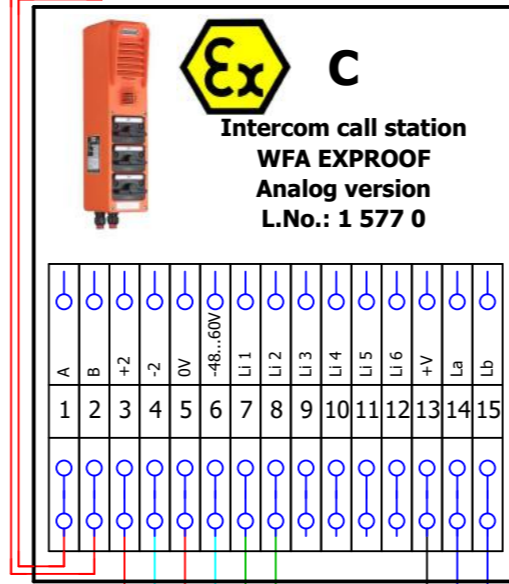
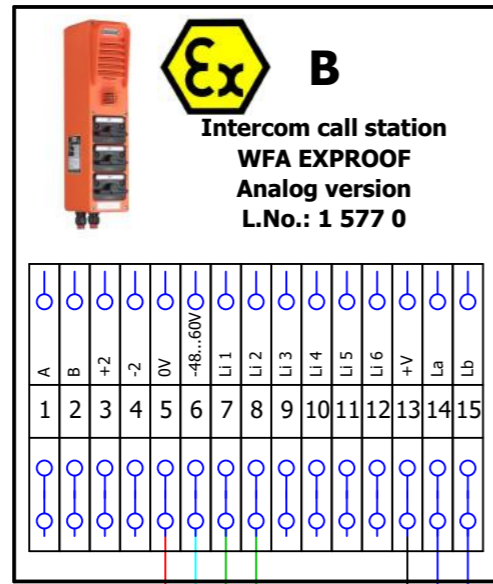
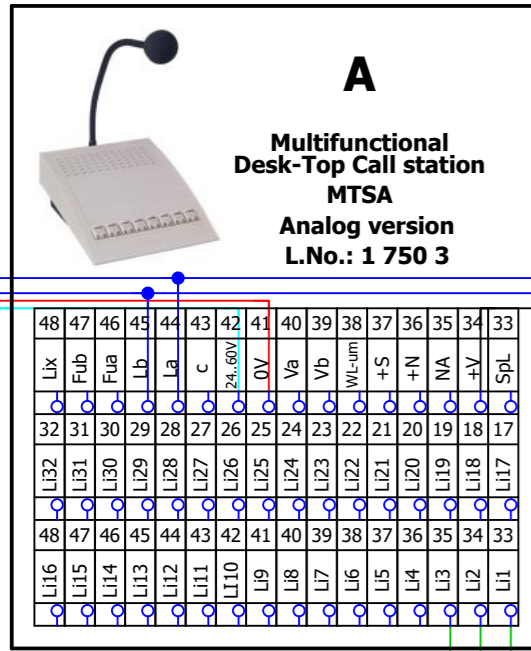
Interconnection of analogue call stations without a communication system



Example 2
 (PAGE DESCRIPTION)
 DRAWING No:

ORDER No:
 DRAWING No:
 03 3 000 0912
 PAGE 5
 OF 8

Example 3



Revision		Approbation	
No	Order	DATE	NAME

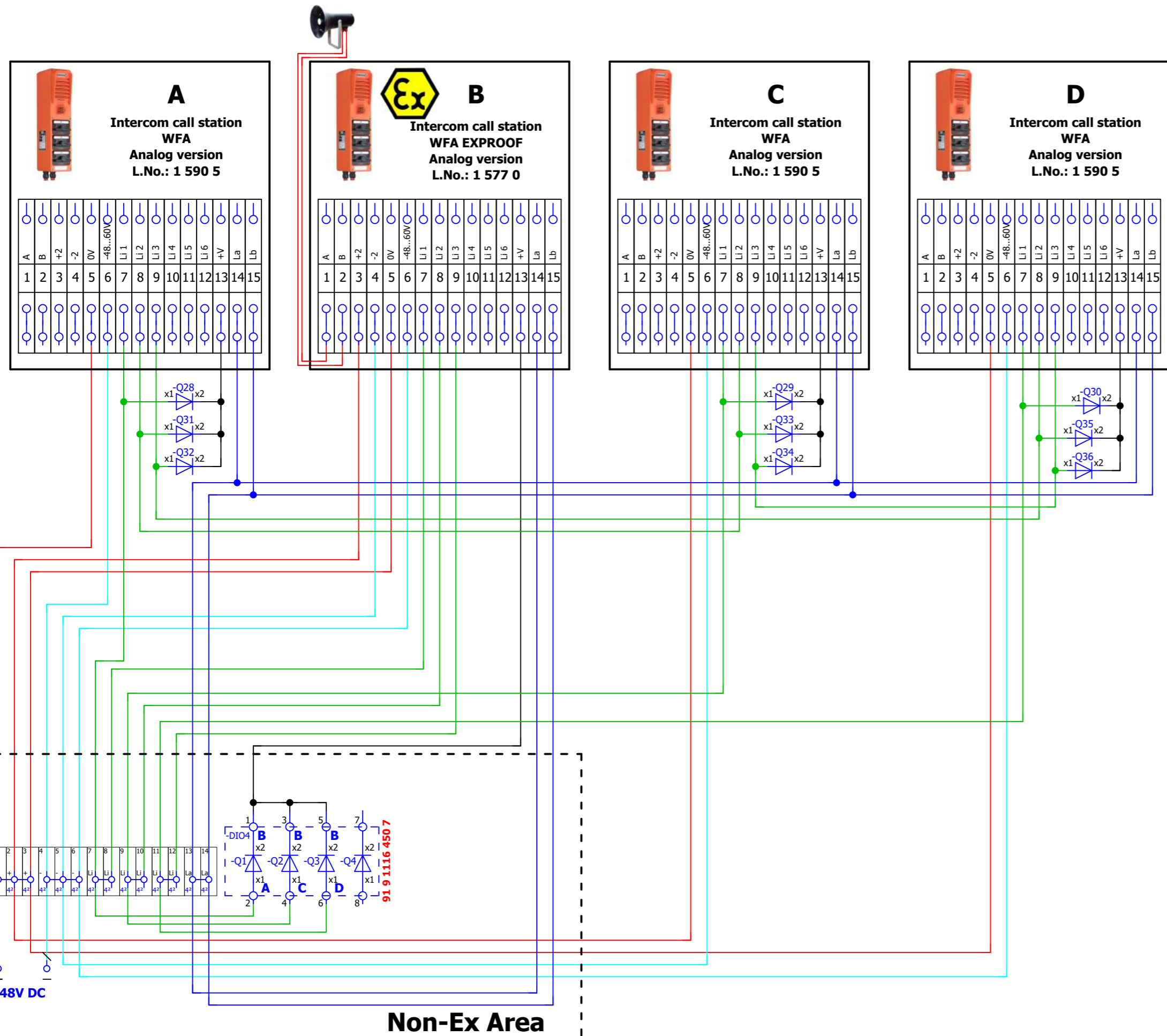
Interconnection of analogue call stations without a communication system



Example 3
 (PAGE DESCRIPTION)
 DRAWING No:

ORDER No:
 DRAWING No:
 03 3 000 0912
 PAGE 6
 OF 8

Example 4



Revision		Approbation	
No	Order	DATE	NAME
			Issue Kilzer 14.07.2021
			Check
			Appr.

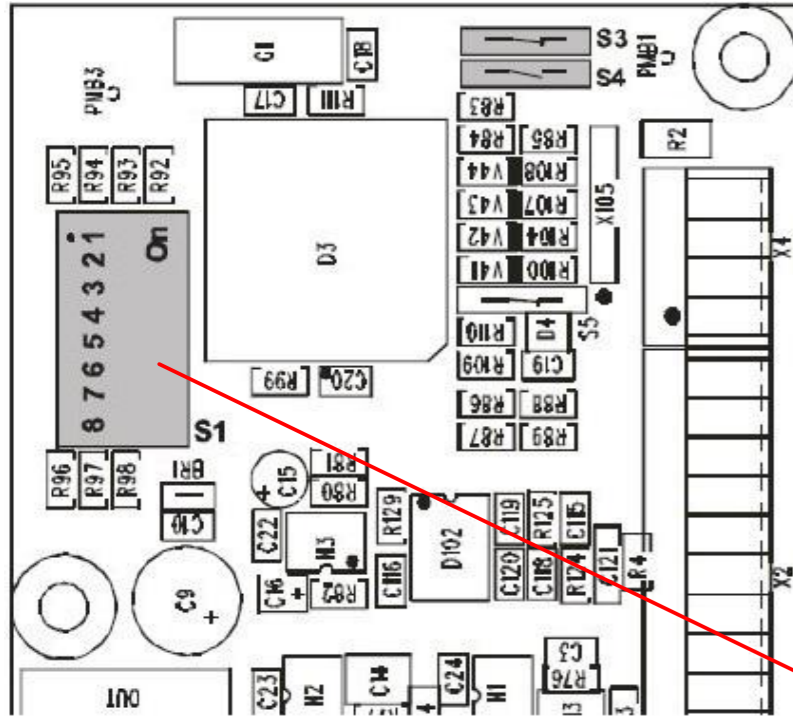
Interconnection of analogue call stations without a communication system



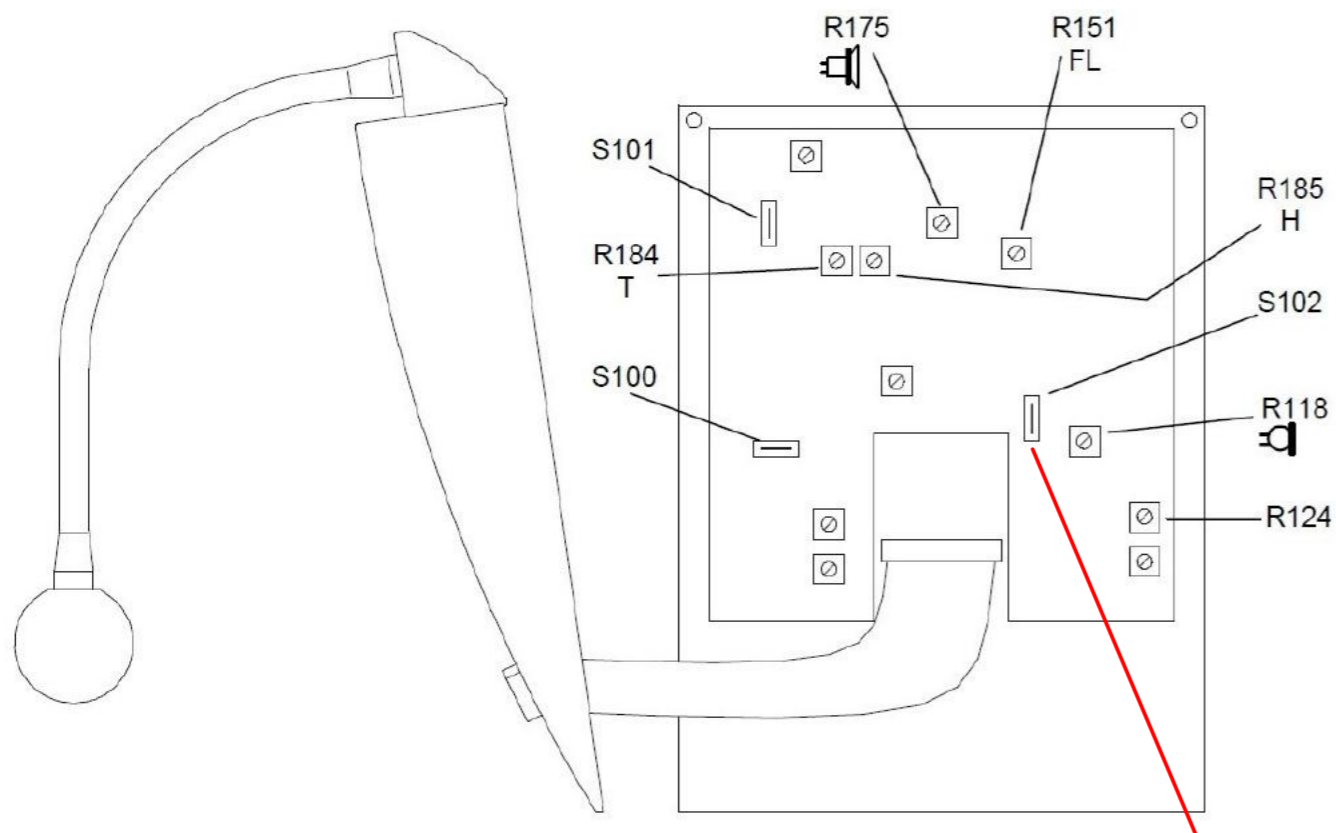
Example 4
(PAGE DESCRIPTION)

DRAWING No: 03 3 000 0912

L.Nr.: 1 590 5

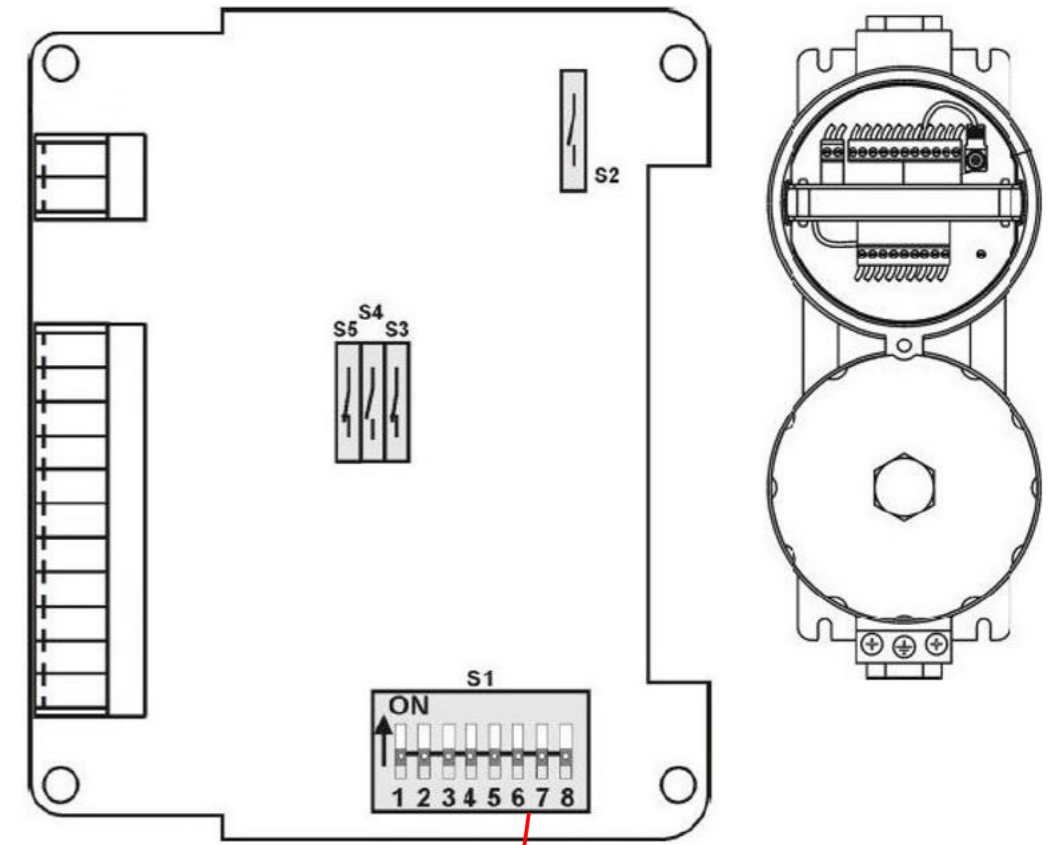


L.Nr.: 1 750 3



Switch S102 on the amplifier circuit board must be opened

L.Nr.: 1 577 0



	Switch S1-1	Switch S1-2	Switch S1-3	Switch S1-4	Switch S1-5	Switch S1-6	Switch S1-7	Switch S1-8
+V	OFF	OFF	OFF	OFF	OFF	OFF	On	On

Revision		DATE		NAME		Approbation	
No	Order						
						Issue	Kilzer
						Check	
						Appr.	

Interconnection of analogue call stations without a communication system



DRAWING No:

Settings
(PAGE DESCRIPTION)

ORDER No:

DRAWING No:

03 3 000 0912

PAGE 8

OF 8